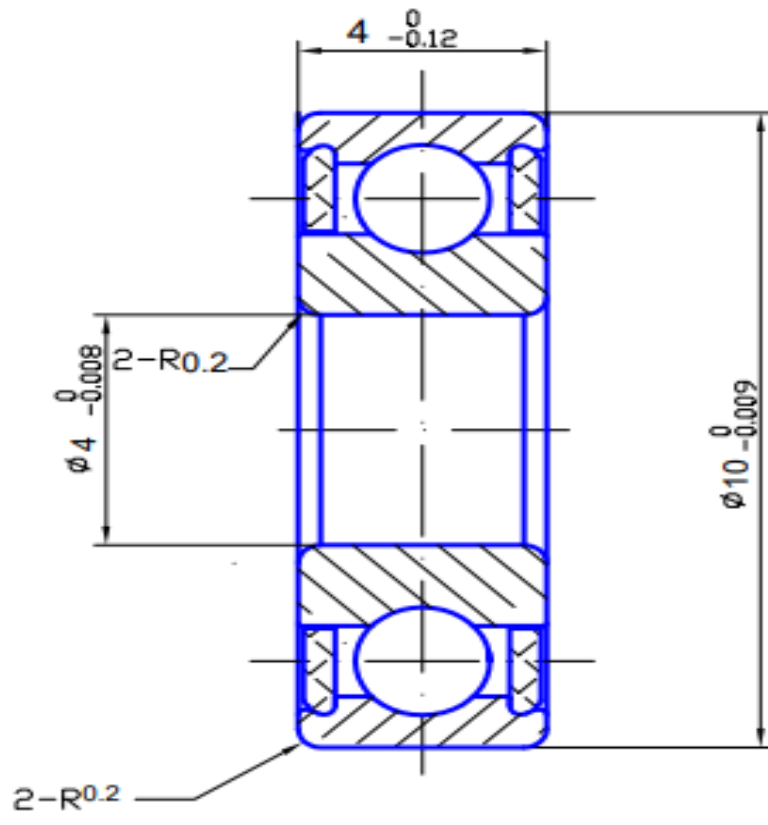


# 104-PP



Dynamic Cr: 560 N  
 Static Cor: 200N  
 Limiting Speed: 18000 rpm

09						
68	Seals	2	PEEK			
07	Retainer	1	PEEK			
04	Balls	6	ZR02 1.588MM			
02	Inner	1	ZR02			
01	Outer	1	ZR02			

# 104-PP