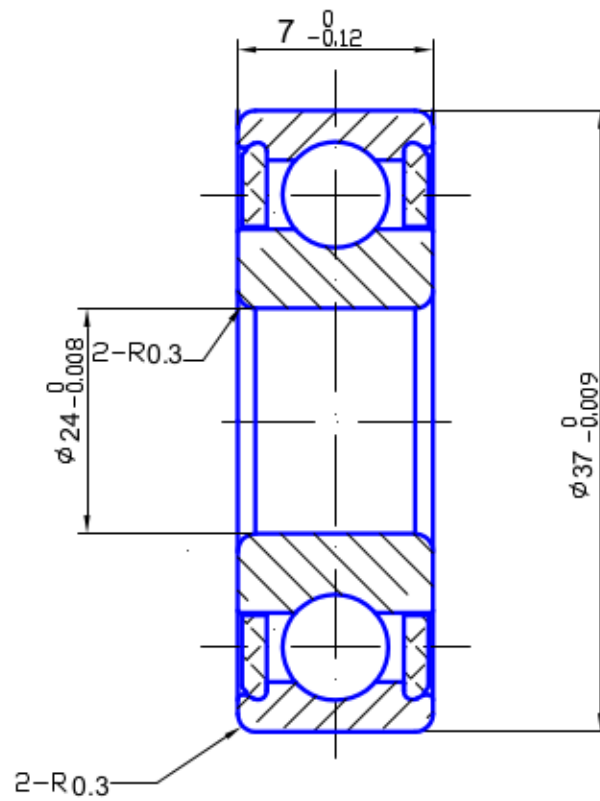


3724-BB



Dynamic Cr: 3000N
 Static Cor: 2000N
 Limiting Speed: 6000 rpm
 Weight: 13.40 g

09	Grease		20% SRL			
68	Seals	2	Black Teflon			
07	Retainer		Full Complement			
04	Balls	15	Si3N4 3.175MM			
02	Inner	1	ZrO2			
01	Outer	1	ZrO2			