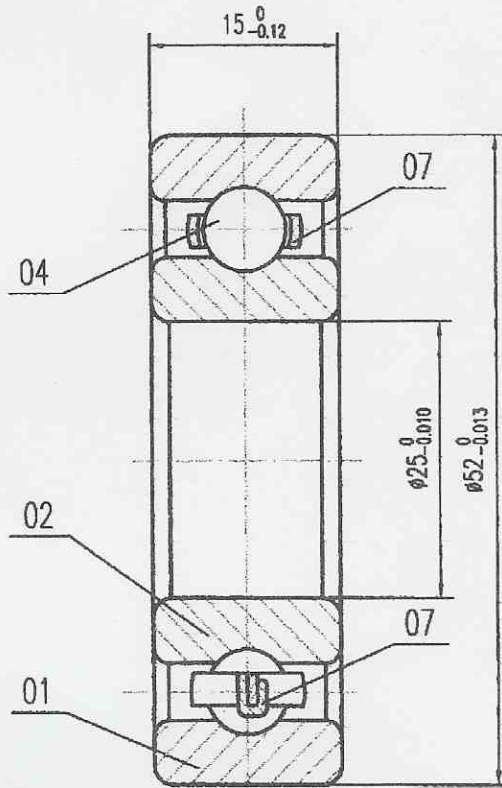


6205

- 1. CLEARANCE: MIN 0.005 mm
MAX 0.020 mm
- 2. LOAD: Cr=9800 N
Cor=5495 N
- 3. SPEED: Grease=9100rpm
Oil= 10500rpm



07	RETAINER	1	TEFLON			
04	BALL	9	ZrO2			
02	INNER RING	1	ZrO2			
01	OUTER RING	1	ZrO2			
PART NO.	PART	QTY	MATERIAL			
				6205 ZrO2		