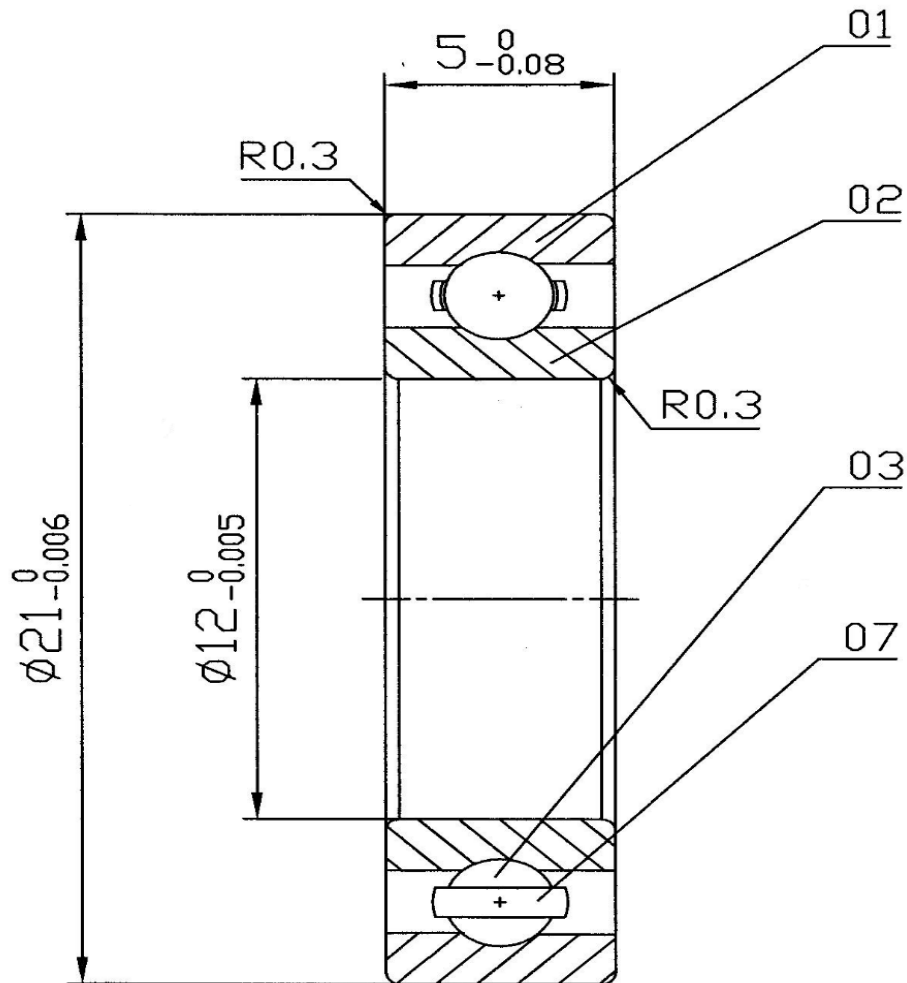


S# 1089RW

Radial Play:
 Max: 0.018mm
 Min: 0.003mm



4	07	Retainer	1	Steel Tape	08F
3	03	Balls ($\phi 2.381$)	14	Chrome Steel	AISI 52100
2	02	Inner Ring	1	Chrome Steel	AISI 52100
1	01	Outer Ring	1	Chrome Steel	AISI 52100
NO.	Part No.	NAME	QTY	Material	Remark
				MR6801 #5	

