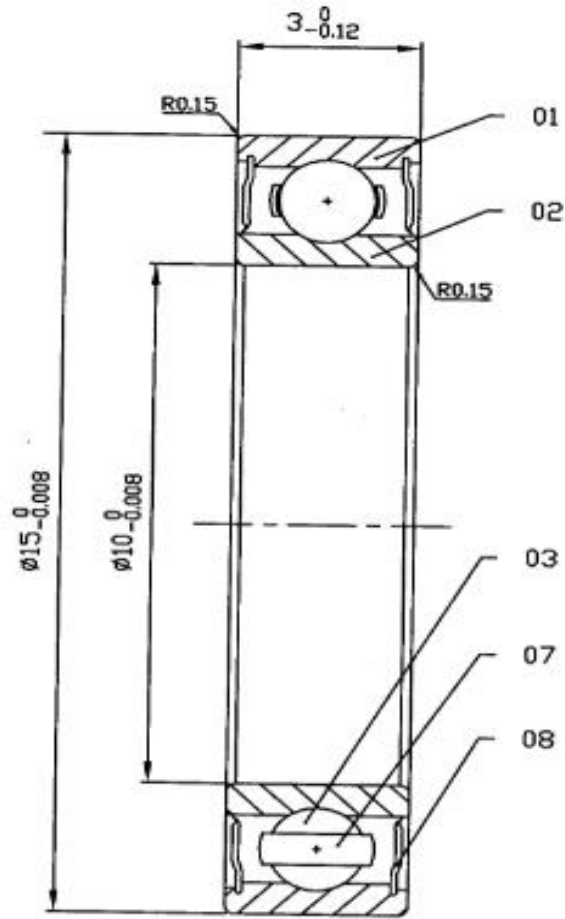


MR6700c-2RS/W3C

Radial Play:
 Maxi: 0.002mm
 Min: 0.013mm
 Cr: 80kgf
 Cor: 40kgf
 Max Speed: 12,000rpm



5	08	Seals	2	Rubber	BURN-N
4	07	Retainer	1	Steel Tape	1Cr18
3	03	Balls ($\phi 1.3$)	11	Ceramic	SI3N4
2	02	Inner Ring	1	Chrome Steel	AISI 52100
1	01	Outer Ring	1	Chrome Steel	AISI 52100
NO.	Part No.	NAME	QTY	Material	Remark
				MR6700C-2RS/W3C	BOCA BEARING COMPANY
					BOCA

