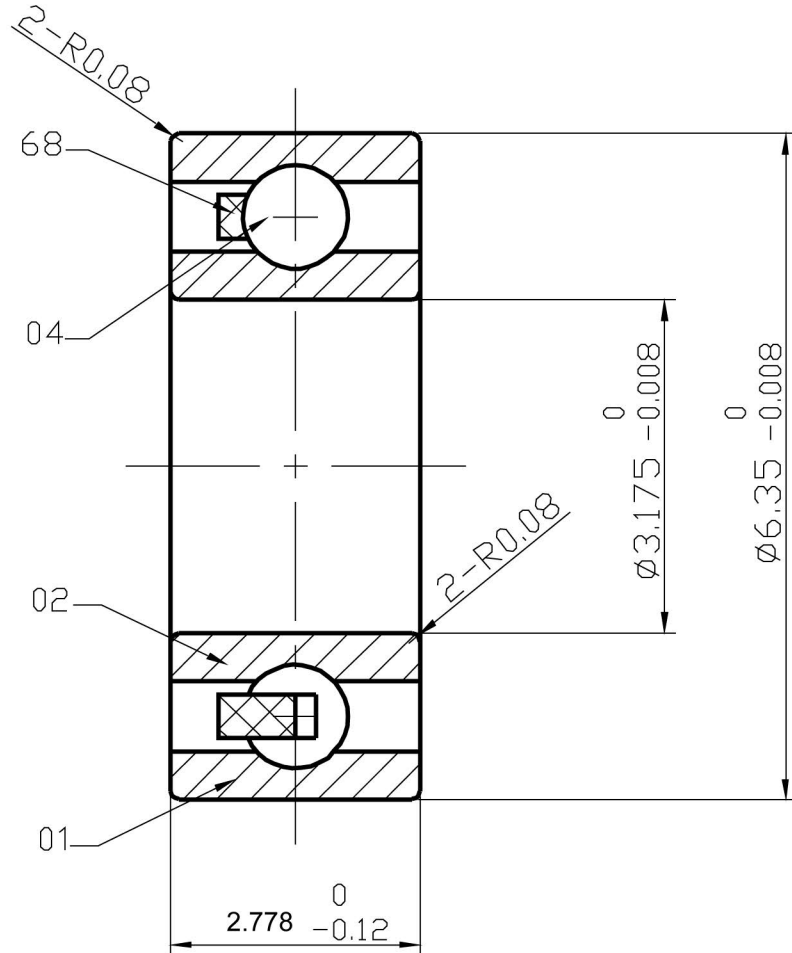


R144 ZR02/W.1094 FC



68		NO	MATERIALS		
04	BALL \varnothing 1.000	13	ZrO ₂		
02	INNER RING	1	ZrO ₂		
01	OUTER RING	1	ZrO ₂		

Dynamic Load: 14 kgf

Static Load: 5 kgf

Max.Speed: 5000 rpm

Weight: 0.03g

