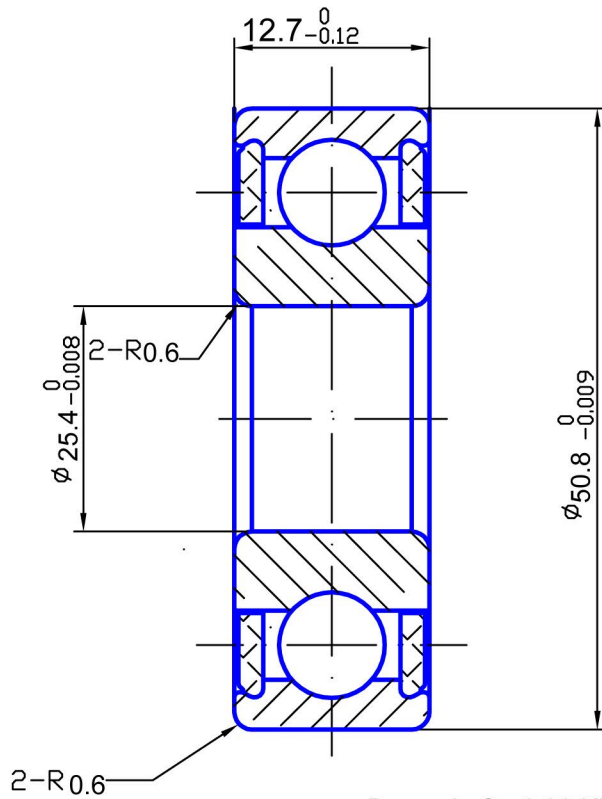


R16-LL-T9-C3-LD-ZR02



Dynamic Cr: 6.00 KN

Static Cor: 4.00 KN

Limited speed: 3200 RPM

Weight: 65.00 g

09					
68	Seals	2	Teflon		
07	Retainer	1	Teflon		
04	Balls	10	ZR02 6.350MM		
02	Inner		ZR02		
01	Outer		ZR02		

R16-LL-T9-C3-LD-ZR02

