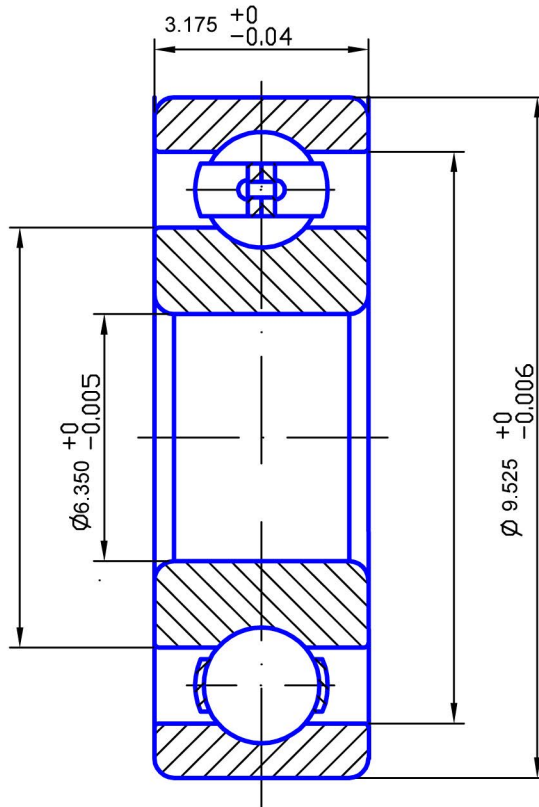


R168 ZRO2 FC



Dynamic Cr: 390 N

Static Cor: 200 N

Limited speed: 5*1000 RPM

Weight: 0.50 g

09						
68						
07	Retainer		Full Complement			
04	Balls	19	ZrO2 $\varnothing 1.000$ mm			
02	Inner	1	ZrO2			
01	Outer	1	ZrO2			



R168 ZRO2 FC