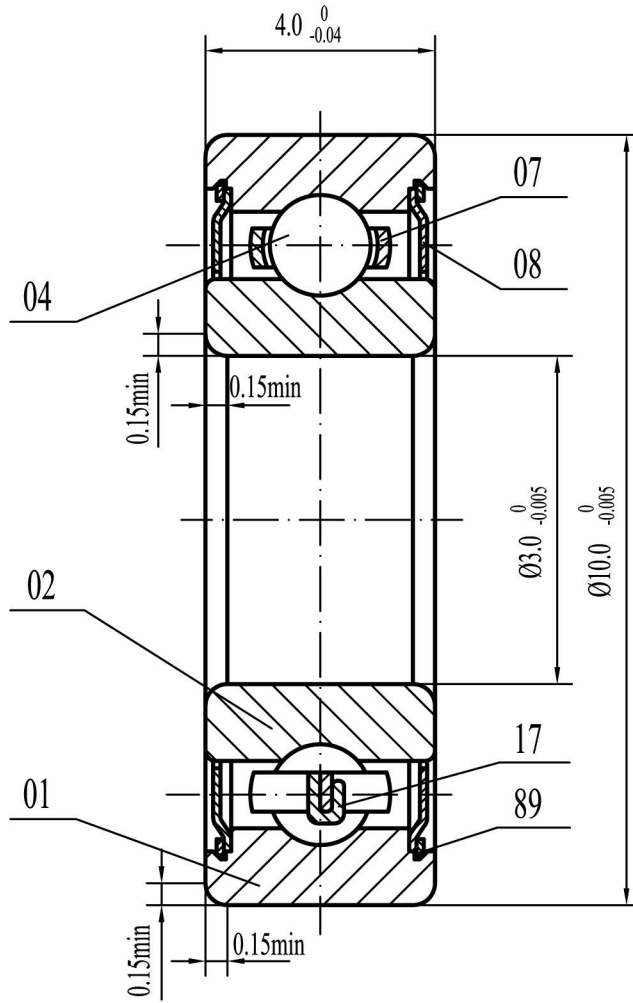


SMR103C YZZ #5 LD

1.CLEARANCE: Max 0.013 mm
Min 0.002 mm

2.LOADING: Cr=442N
Cor=153N

3.LD=Lube Dry
4. 60000rpm



89	CIRCLIP	2	AISI 303		
08	SHIELD	2	AISI 303		
17	WAVE CAGE	1	AISI 303		
07	WAVE CAGE	1	AISI 303		
04	CERAMIC BALL	7	Si3N4		SØ1.588
02	INNER RING	1	AISI 440		
01	OUTER RING	1	AISI 440		

PART NO.	PART	QTY	MATERIAL		REMARK
----------	------	-----	----------	--	--------

**STAINLESS STEEL
DEEP GROOVE
BALL BEARING**

SMR103C YZZ #5 LD

