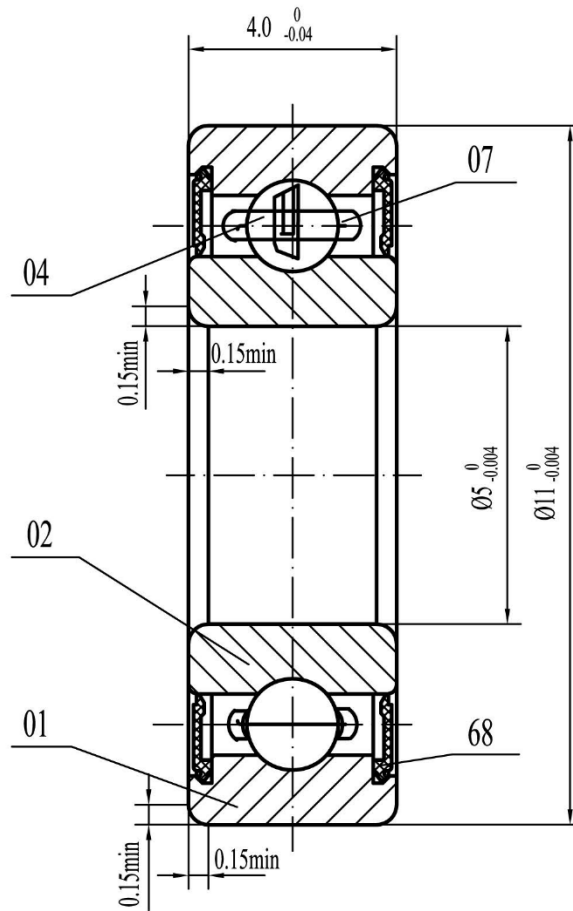


SMR115-7Z #5 LD

1.CLEARENCE: Max0.013mm
Min 0.005mm

2.LOADING: $C_r=720N$
 $Cor=280N$

3.Grease: Lube Dry
4. 45000rpm



68	SEAL	2	AISI 440			
07	CAGE	1	AISI 440			
04	BALL	8	AISI 440			SØ1.588
02	INNER RING	1	AISI 440			
01	OUTER RING	1	AISI 440			
PART NO.	PART	QTY	MATERIAL			REMARK

SMR115-7Z #5 LD



DEEP GROOVE