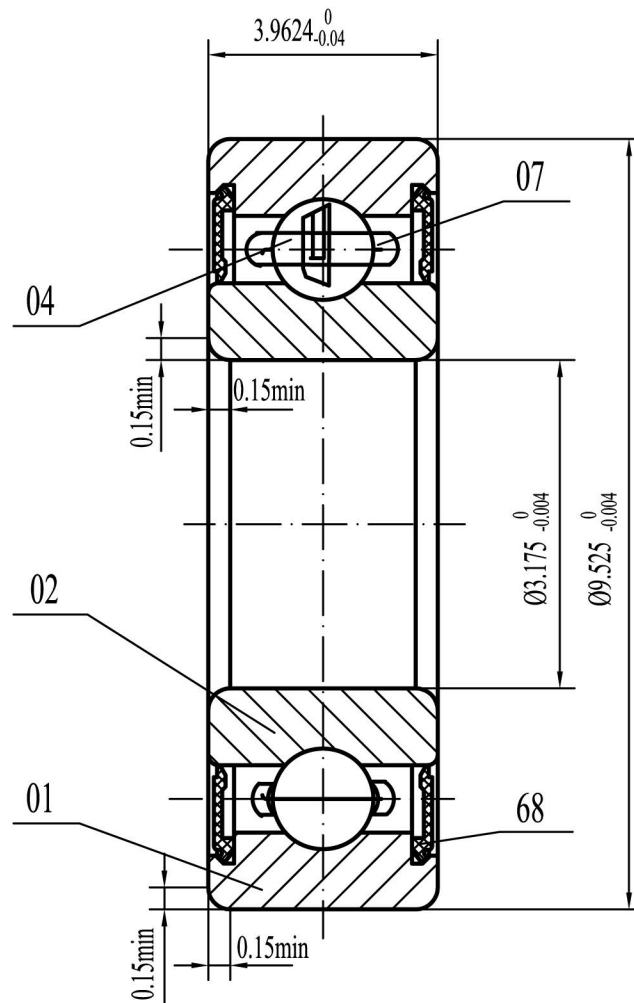


# SR2C 20S #7 LD

1. CLEARANCE: Max 0.013mm  
Min 0.002mm

2. LOADING: Cr=442N  
Cor=153N

3. LD=Lube Dry  
4. 67000rpm



68	SEAL	2	NBR		Orange
07	CAGE	1	AISI 303		
04	CERAMIC BALL	7	Si3N4		SØ1.588
02	INNER RING	1	AISI 440		
01	OUTER RING	1	AISI 440		
PART NO.	PART	QTY	MATERIAL		REMARK

**STAINLESS STEEL  
DEEP GROOVE  
BALL BEARING**

**SR2C 20S #7 LD**